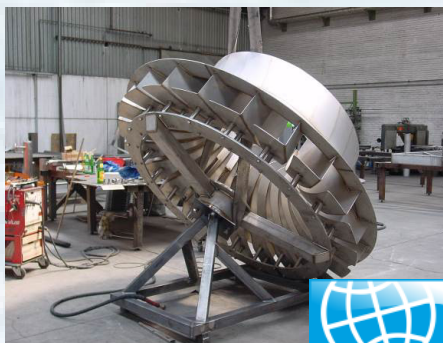




BSK[®]-SURFACE AERATORS

EXTRACT OF TOPICAL REFERENCES 1999 - 2017

Project Code	Country	Quantity	Turbine-Ø [mm]
2017			
Dunacell	Hungary	8 ea.	2,000
		1 ea.	1,400
2016			
Al Kharj Road	KSA	24 ea.	2,800
Dunafin	Hungary	4 ea.	1,600
		2 ea.	2,000
Pinguin Comines	France	2 ea.	2,250
Seoul 03	South Korea	2 ea.	1,400
2015			
Zwijndrecht	Netherlands	1 ea.	2,000
Ancenis	France	1 ea.	1,400
Lemgo	Germany	1 ea.	1,600
2014			
Chapingo	Mexico	3 ea.	1,750
Grodek	Poland	1 ea.	1,600
2013			
Paskov	Czech Republic	1 ea.	2,500
Sugar Factory	Romania	4 ea.	1,400
		2 ea.	2,500
Shahriar	Indonesia	1 ea.	900
Seoul 02	South Korea	1 ea.	2,000

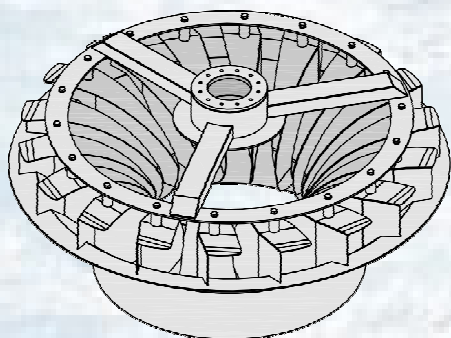




Project Code	Country	Quantity	Turbine-Ø [mm]
2012			
Saica El Burgo	Spain	4 ea.	1,600
Süplingenburg	Germany	3 ea.	1,600
Huedin	Romania	2 ea.	1,100
		1 ea.	1,250
Körkwitz	Germany	4 ea.	2,250
Nestlé Indonesia Ext.	Indonesia	2 ea.	1,600
2011			
Bielsk 02	Poland	5 ea.	1,600
Czyzew 02	Poland	2 ea.	1,750
KIIC	Indonesia	2 ea.	2,250
Manchester	Great-Britain	4 ea.	2,000
		2 ea.	2,250
Morelos	Mexico	1 ea.	1,600
Nowinka	Poland	1 ea.	1,250
Przerosl	Poland	1 ea.	900
Zwijndrecht	The Netherlands	2 ea.	2,000
2010			
Istanbul	Turkey	16 ea.	2,000
Puchaczowie	Poland	1 ea.	1,600
Sharjah	Dubai	18 ea.	2,500
2009			
Bocwinka	Poland	1 ea.	900
Czyzew	Poland	2 ea.	1,750
Laszczow	Poland	1 ea.	1,750
Przytuly	Poland	1 ea.	1,750
2008			
Czerwony Bor	Poland	1 ea.	1,600
GA Korea	South Korea	2 ea.	1,250
Juchnowiec	Poland	1 ea.	1,600
Pisanica	Poland	3 ea.	900
Wittlage	Germany	3 ea.	1,750
Zwijndrecht	Belgium	2 ea.	2,000



Project Code	Country	Quantity	Turbine-Ø [mm]
2007			
Niedzica	Poland	3 ea.	1,600
Nestlé Indonesia	Indonesia	3 ea.	1,600
Pleißing	Austria	2 ea.	1,600
STP Dahra	Libya	1 ea.	1,250
STP Waha	Libya	1 ea.	1,600
Seoul 06	South Korea	2 ea.	900
2006			
Colombia 01	Kolumbien	2 ea.	2,000
Dongguan	China	1 ea.	1,250
Metito 02	Saudi Arabia	2 ea.	2,000
Sokolka	Poland	1 ea.	1,750
Zytkiejmy	Poland	2 ea.	900
2005			
Dabrowa	Poland	2 ea.	2,000
Helsinki Paper Factory	Finland	12 ea.	2,500
Mikolajki 1	Poland	3 ea.	2,000
Mikolajki 2	Poland	3 ea.	1,600
Ryzki	Poland	1 ea.	1,250
San Agustin	Mexico	1 ea.	1,250
		1 ea.	2,000
Sobkow	Poland	1 ea.	1,600
Stoczek Lukowski	Poland	2 ea.	1,600
Zlota	Poland	1 ea.	1,250





Project Code	Country	Quantity	Turbine-Ø [mm]
2004			
Carrick on Bannow	Ireland	1 ea.	1,250
Konstancin	Poland	1 ea.	1,600
Lubin	Poland	1 ea.	900
Necaxa	Mexico	2 ea.	2,500
San Cristobal	Mexico	1 ea.	1,250
Sugar factory	Hungary	4 ea.	2,500

2003

Blizanow	Poland	2 ea.	1,750
Budzisko	Poland	1 ea.	900
Jablonki	Poland	2 ea.	900
Kamien	Poland	1 ea.	1,600
Krypno	Poland	1 ea.	1,600
Mallersbach	Austria	2 ea.	1,250
Narew	Poland	1 ea.	1,750
Nowy Dwor	Poland	1 ea.	1,250
Orla	Poland	1 ea.	900



2002

Baikal	Russia	6 ea.	2,500
Dubeninki	Poland	1 ea.	900
Dubicze Cerkiewne	Poland	1 ea.	900
FMC	Mexico	1 ea.	2,000
Garbas	Poland	1 ea.	900
Gizycko	Poland	6 ea.	1,250
		6 ea.	1,600
Jababeka II	Indonesia	1 ea.	2,000
Kaminsk	Poland	2 ea.	1,600
Miedzybrodzie	Poland	1 ea.	1,250



Project Code	Country	Quantity	Turbine-Ø [mm]
2002			
Narewka	Poland	1 ea.	1,600
Omsk I	Russia	2 ea.	2,000
Roehrenreith	Austria	2 ea.	1,250
Wasosz	Poland	1 ea.	1,250
Wizna	Poland	1 ea.	1,600
Zudar	Germany	1 ea.	1,250
2001			
Bachorza	Poland	3 ea.	1,250
Bielsk	Poland	6 ea.	2,000
Fajslawice	Poland	1 ea.	1,600



Gaski	Poland	1 ea.	900
Gilsa	Mexico	1 ea.	2,000
Hanjnowka	Poland	1 ea.	1,250
Jababeka	Indonesia	1 ea.	1,600
Jozefow	Poland	3 ea.	900
Lenex	Poland	3 ea.	900
Nowa Luka	Poland	1 ea.	1,250



Project Code	Country	Quantity	Turbine-Ø [mm]
2000			
Bialystok	Poland	1 ea.	900
Gestratz	Germany	2 ea.	1,250
Guilloteau	France	2 ea.	2,000
Hruszniew	Poland	1 ea.	900
Lega	Poland	1 ea.	900
Mining	Austria	2 ea.	1,250
Ołownik	Poland	1 ea.	900
Panca Jasa	Indonesia	2 ea.	900
Pistorf	Austria	1 ea.	900
Playacar	Mexico	1 ea.	2,500
Przerosl	Poland	1 ea.	900
Szudzialowo	Poland	1 ea.	900



1999

ARA Krzyz	Austria	2 ea.	2,500
Dobrozyniowce	Austria	1 ea.	900
IHR Graz	Austria	2 ea.	2,500
Lapy	Poland	6 ea.	2,000
Solina	Austria	1 ea.	900



Biogest International GmbH

Berthold-Haupt-Str. 37
D - 01257 Dresden

Phone: +49 (0) 351 3 16 86 -0

Fax: +49 (0) 351 3 16 86 -86

E-Mail: info@biogest-international.de

Internet: www.biogest-international.de